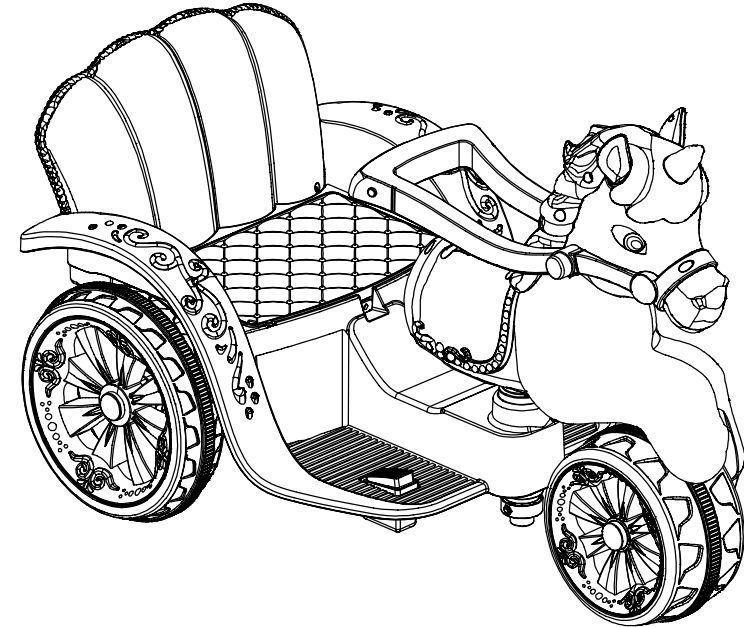


ELECTRONIC ENCHANTED CARRIAGE



INSTRUCTION MANUAL

Read and understand this entire manual before assembly or use

IMPORTANT

Age:
2Years+

Maximum
user weight:
25Kg

WARNING!

1. For family and domestic use only.
2. Not to be used in traffic.
3. Adult assembly required.
4. Warning! Protective equipment should be worn.
5. This toy has no brake.
6. Warning: It is dangerous to use the toy in areas other than private grounds.
7. Never leave child unattended. Direct adult supervision is required.
8. Never use on roadways, near cars, on or near steep inclines or steps, swimming pools or other bodies of water.



This instruction manual contain important information which will help you get the best from your product and ensure safe and correct assembly, use and maintance. Please read the instruction manual fully before use. Failure to do so may result in damage to the vehicle or harm to the user. Please keep this instruction manual for future reference.

Before first time use, charge the battery for at least 8-12 hours, no more than 20 hours.

If you need help or have damaged or missing parts, call the Customer Helpline:
www.htigroup.co.uk
customerservice@htigroup.co.uk
 +44 (0)1253 775570



Designed & Manufactured by HTI Toys,
 Copse Road, Fleetwood, FY7 7NY – UK
 Made in China

TABLE OF CONTENTS

- P.1 ABOUT YOUR NEW ENCHANTED CARRIAGE
- P.2 PARTS LIST
- P.3 PARTS DIAGRAM
- P.4-8 ASSEMBLY STEPS
- P.9 HOW TO OPERATE YOUR ENCHANTED CARRIAGE
- P.10-11 CHARGING YOUR ENCHANTED CARRIAGE
- P.12 TROUBLESHOOTING GUIDE
- P.13 MAINTAINING YOUR ENCHANTED CARRIAGE
- P.14 DISPOSAL OF BATTERY

ABOUT YOUR NEW ENCHANTED CARRIAGE

Thank you for your purchasing our product. Keep these points in mind as you read this guide:

Suitable Age:	2+ years	Battery:	DC 6V 4.0AH *1
Load Capacity:	Under 25Kg	Size Of Carriage:	890*520*600mm
Speed:	2.5-3 km/h	Optimum Temperature:	Below 40°C Avoid to use under burning sun
Material:	PP	Charging Time:	8-12 hours, maximum 20 hours
Charger:	230-240V 50Hz Output: DC 6V Current: 500mA Model No.: LK-D060050 Type: Type G	Fuse:	F 5A, Self-resetting
		Battery Life:	Max. 300 times fully charged

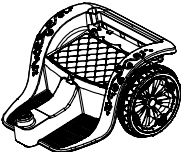
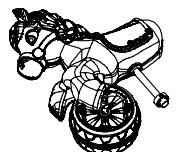
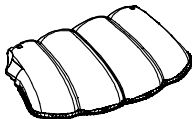
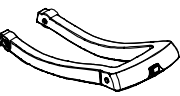



WARNING!

FOR THE SAFETY OF YOUR CHILD, PLEASE READ ALL WARNINGS AND ASSEMBLY/USE INSTRUCTIONS. KEEP THIS GUIDE FOR FUTURE REFERENCE.

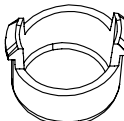
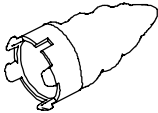


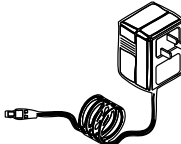

• ADULT ASSEMBLY REQUIRED.

The product contains small parts, which are for adult assembly only.
Keep children away when assembling.

PARTS LIST

PART NO.	PART NAME	PICTURE	Qty (pcs)	REMARKS	PART NO.	PART NAME	PICTURE	Qty (pcs)	REMARKS
1	Carriage		1		2	Unicorn Body		1	
3	Backrest		1		4	Rein		1	
5	Axle		1		6	M8 washer		2	Placed in the axle
7	M8 Nut		2	Placed on the front axle					

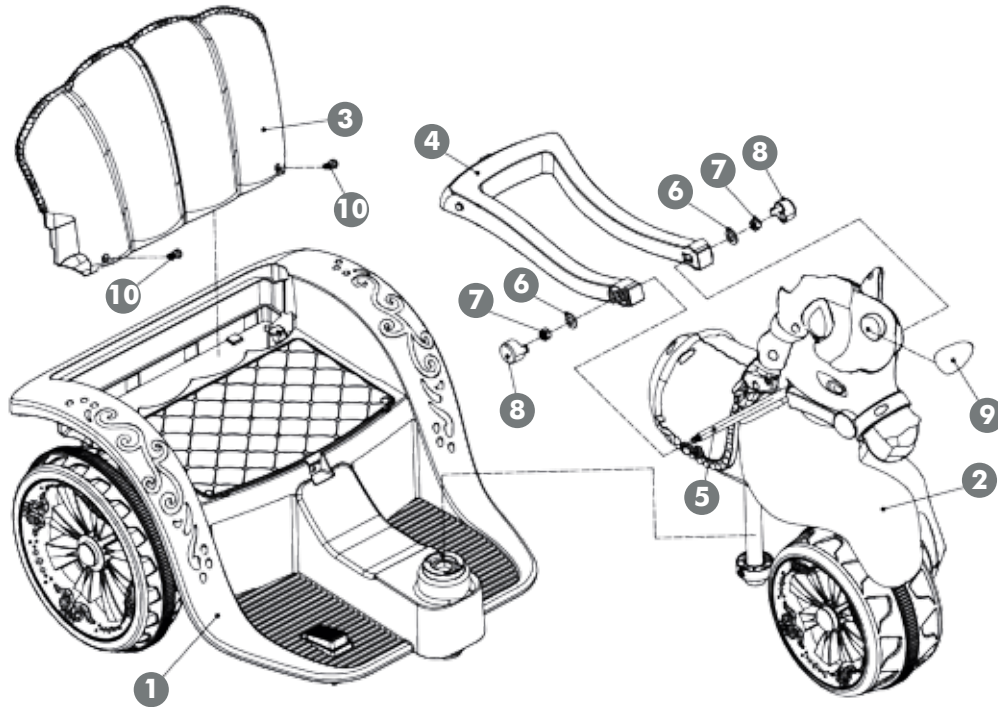
ASSEMBLY PACKAGE

PART NO.	PART NAME	PICTURE	Qty (pcs)	REMARKS	PART NO.	PART NAME	PICTURE	Qty (pcs)	REMARKS
8	Cap		1 pair	Left & right	9	Horn		1	
10	M4X16 screw		2		11	Instruction Manual		1	
12	Charger		1		13	Spanner		2	

PARTS DIAGRAM

1	Carriage*1	2	Unicorn Body*1	3	Backrest*1
4	Rein*1	5	Axle*1	6	M8 Washer*2
7	M8 Nut*2	8	Cap*2	9	Horn*1
10	M4X16 Screw*2				

NOTE: Some parts are on the axles



Tools Required



Screwdriver
(not included)

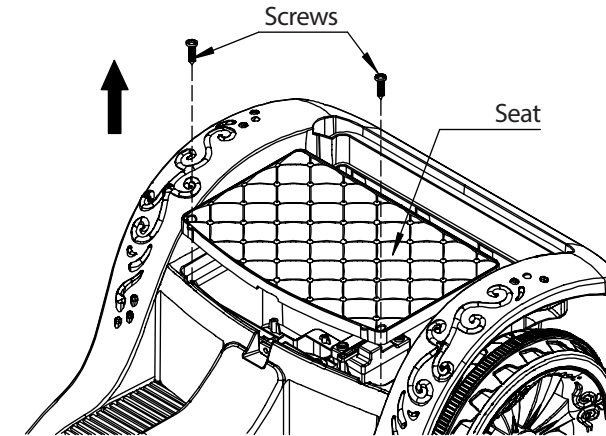


Spanner

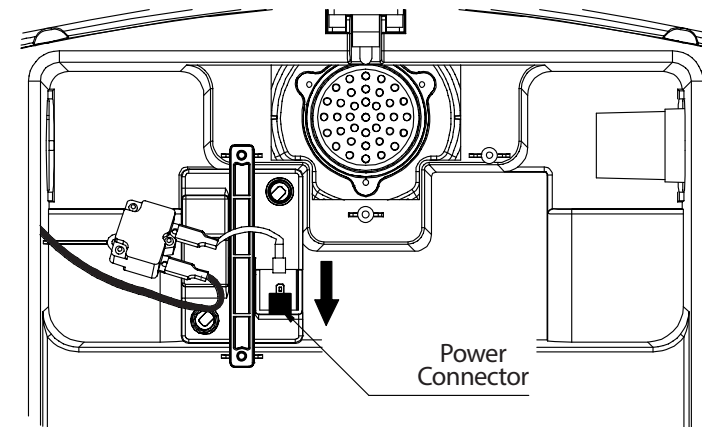
ASSEMBLY STEPS

- This product requires adult assembly. Please set aside at least 40 minutes for assembly.
- Children can be harmed by small parts, sharp edges and sharp points in the vehicle's unassembled state. Care should be taken in unpacking and assembly of the vehicle. Children should not handle parts, or help in assembly of the vehicle.
- Please identify all parts before assembly and save all packaging material until assembly is complete to ensure that no parts are discarded.
- Assembly tools needed: screwdriver(not included), spanner.

1. Connect the power supply



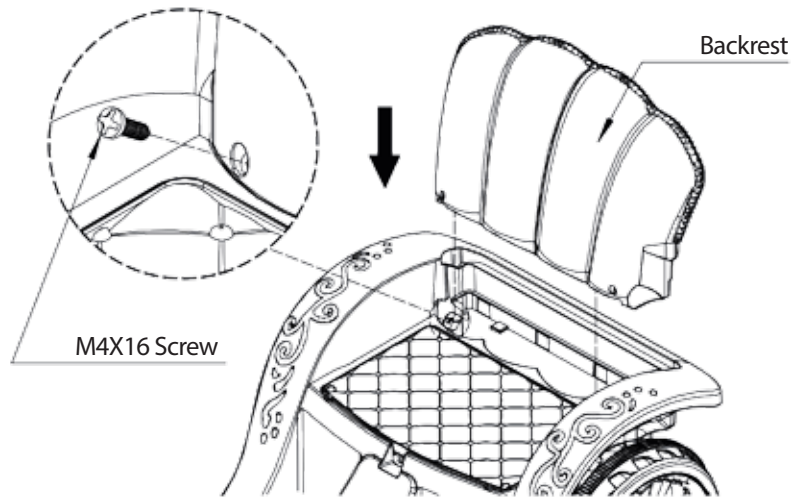
- Unscrew the screws as shown, and open the seat on the Carriage.



- Plug the Power Connector (**RED**) into the terminal on battery as shown.
- Put the seat back, and fasten with the screws.

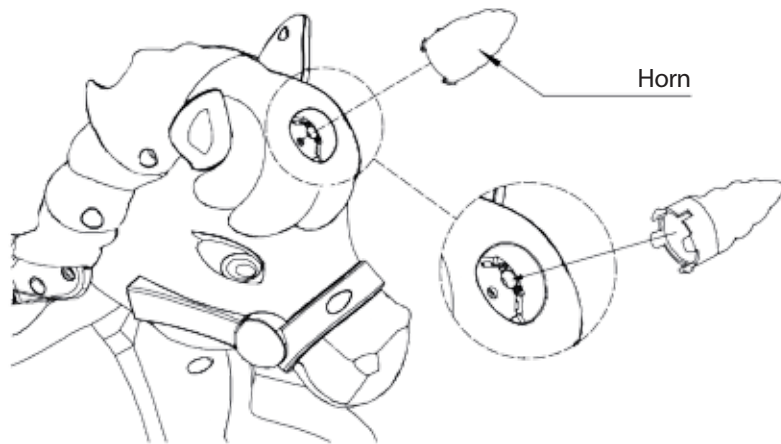
ASSEMBLY STEPS

2. Install the backrest



- As shown in the picture, press the Backrest downward to fix it, and fasten with the screws.

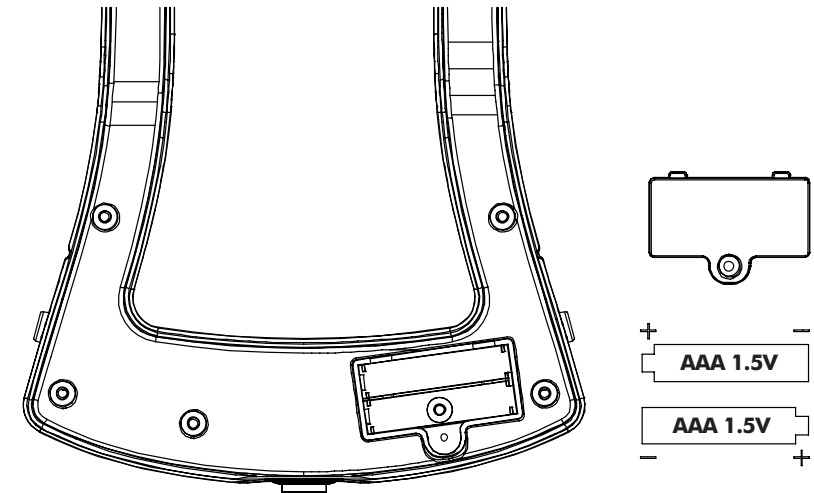
3. Install the horn



- Push the horn into Unicorn's head until fixed.

ASSEMBLY STEPS

4. Install the batteries



- The battery compartment is placed under the rein. Loosen the compartment lid with screw driver. Insert two AAA 1.5V batteries and cover the lid and fix it with screw.


BATTERY INSTALLATION & REPLACEMENT

- Loosen the screw by a screwdriver to open the battery compartment door under the rein.
- Insert / replace the new batteries in the correct direction indicated inside the battery compartment.
- Close the compartment and screw shut securely.

BATTERY SAFETY PRECAUTION

- Non-rechargeable batteries are not to be recharged.
- Rechargeable batteries are to be removed from the toy before being charged.
- Rechargeable batteries are only to be charged under adult supervision.
- Different types of batteries or new and used batteries are not to be mixed.
- Only batteries of the same or equivalent type as recommended are to be used.
- Batteries are to be inserted with the correct polarity. (+ and -)
- Exhausted batteries are to be removed from the toy.
- The supply terminals are not to be short-circuited.
- Do not dispose of batteries in fire; batteries may leak or explode.
- Batteries should be replaced by an adult.
- Do not mix old and new batteries .
- Do not mix alkaline, standard (carbon-zinc) or rechargeable batteries.

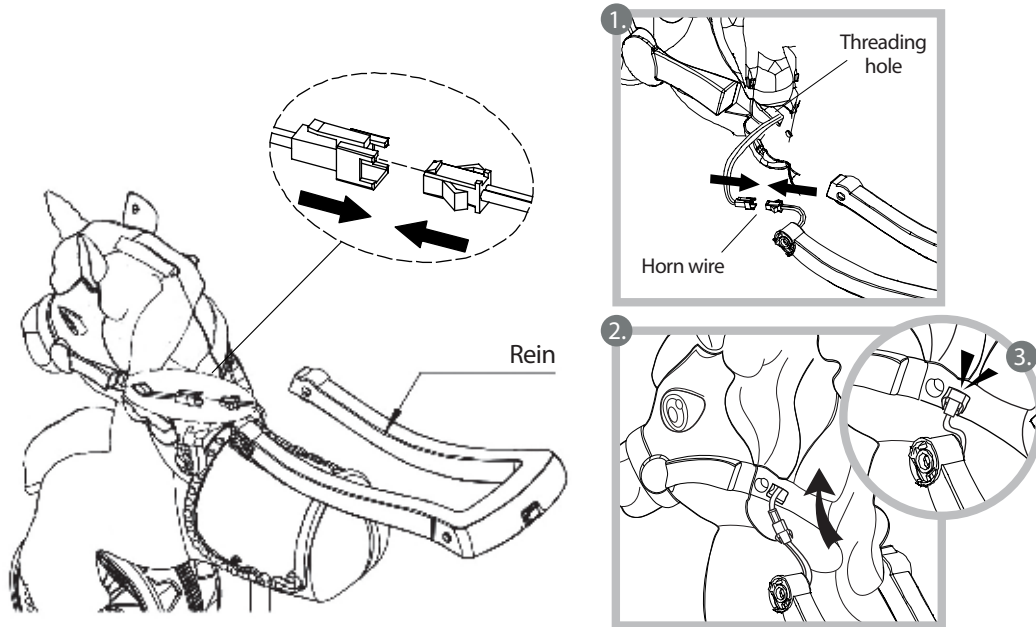
DISPOSAL AND RECYCLING

 Electrical product waste should not be discarded with household waste. Please actively support us in conserving resources and protecting the environment by returning the non-working electrical products to an appropriate disposable/ recycling centre (if available).

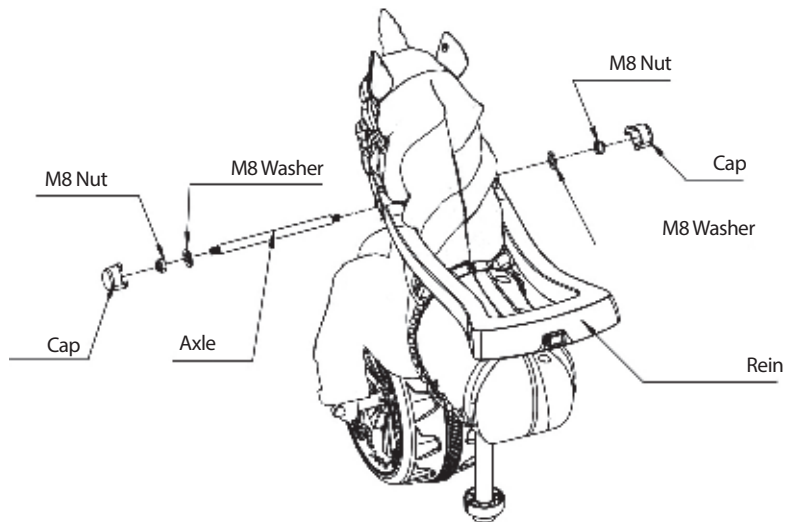
Please retain this instruction for reference.

ASSEMBLY STEPS

5. Install the rein



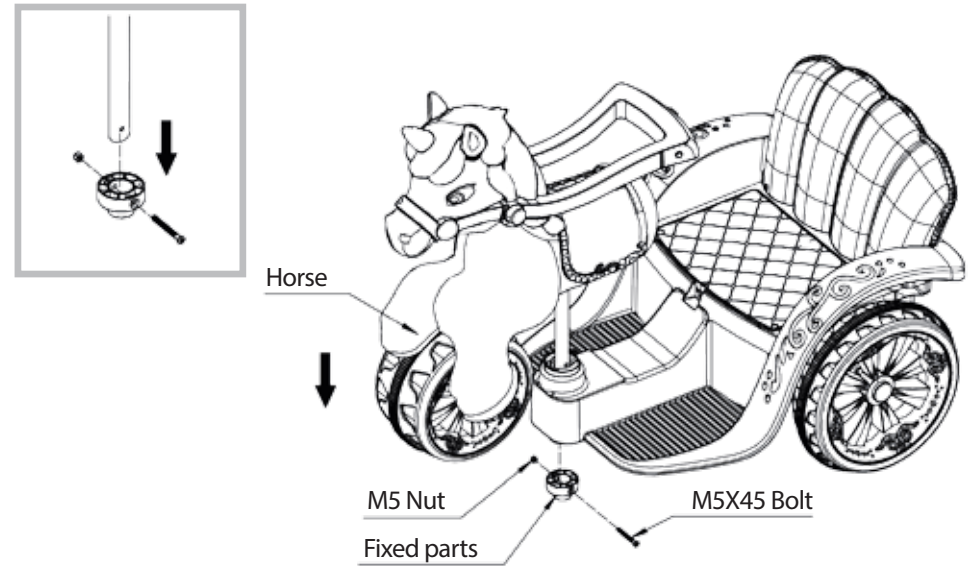
- Connect the horn wire. One end is located in the rein while another is located in the Unicorn's head. Plug tightly as picture shown. Thread the wire and plug (connected) into Unicorn body.



- Disconnect the axle parts.
- As shown in the picture, put the axle through the Unicorn's body, and install washers to both sides and fasten with nuts with spanner provided then cover with the caps.

ASSEMBLY STEPS

6. Connect unicorn body to carriage



- Take off the screw and nut from Unicorn support as shown.
- Put the Unicorn through the carriage, and fasten with fixed parts and bolt and nut.

HOW TO OPERATE YOUR CARRIAGE

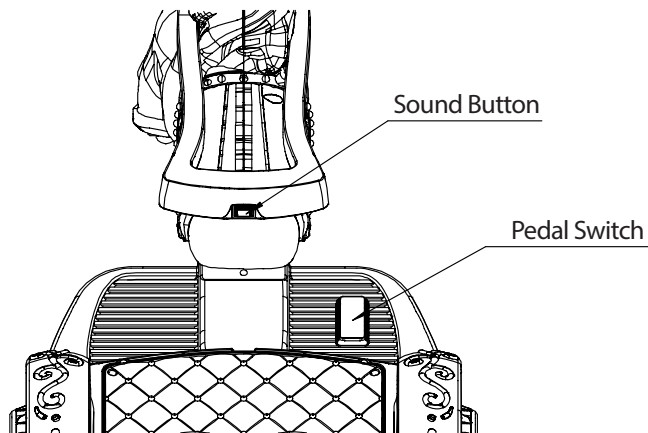
MUST CONFIRM BEFORE USING THAT THE FOLLOWING WORK HAS BEEN COMPLETED:

- Important! Before using the Carriage for the first time, the battery needs to be charged for 8 to 12 hours, no more than 20 hours. Only an adult can charge or recharge the battery.
- Finish assembly according to the steps that the manual described.
- All places that need a screw guarantee the screw has been locked.

Rules for Safe Riding

READ THESE RULES ALOUD TO YOUR CHILD AND THEIR PLAYMATES AND MAKE SURE THEY UNDERSTAND THEM!

- This Carriage has no brake. Always wear a helmet and protective clothing when riding.
- Direct adult supervision required.
- Keep children within safe riding areas.
- The Carriage should be used with caution since skill is required to avoid falls or collisions causing injury to the user or third parties.
- Never use in roadway, near motor carriages, on lawn space, on or near steep inclines or steps, swimming pools or other bodies of water.
- Use the Carriage only on flat surfaces, such as inside your house, garden or playground.
- Never use in the dark. A child could encounter unexpected obstacles and have an accident. Operate the Carriage only in the daytime or a well-lit area.
- It is not recommended to drive the Carriage on wet surfaces or on slopes of greater than 15 degrees.
- Do not use this Carriage outdoors when it is raining or snowing.
- Please follow the correct weight and age limits allowed to drive this Carriage.
- It is prohibited to change the circuit or add other electric parts
- Inspect wires and connections of the Carriage periodically.
- In order to avoid accidents, please ensure the Carriage is safe before riding.
- Do not let any child touch the wheels or be near them when the Carriage is moving



IMPORTANT!

Always stop the Carriage when changing direction to avoid damage to the gear box and motor.

Press the Pedal Switch to go forward.

Remove foot from Pedal Switch to stop the Carriage running.

Press Sound Button for Unicorn's neigh

CHARGING YOUR CARRIAGE

! WARNING!

PREVENT FIRE AND ELECTRIC SHOCK:

- Explosive gasses are created during charging. Do not charge near heat or flammable materials. Charge the battery in a well-ventilated area ONLY.
- NEVER pick up the battery by the wires or charger. Damage can occur to the battery and may cause a fire. Pick up the battery by the case ONLY.
- This toy contains batteries that are non-replaceable.
- Charge the battery in a dry area ONLY.
- Wash hands after handling.
- Do not open the battery. Battery contains lead acid and other materials that are toxic and corrosive.
- Do not open the charger. Exposed wiring and circuitry inside case may cause electric shock. Only adults may handle or charge the battery. NEVER allow child to handle or charge the battery. Battery is heavy and contains lead acid (electrolyte).
- Do not drop the battery. Permanent damage to the battery could occur or cause serious injury.
- Before charging the battery, check for wear or damage to the battery, charger, its supply cord and the connectors. DO NOT charge the battery if any damage to parts has occurred.
- Do not allow the battery to drain completely. Recharge the battery after each use or once a month if not used regularly.
- Do not charge battery upside down.
- Always secure the battery with the bracket. Battery can fall out and injure a child if Carriage tips over.

ONLY AN ADULT CAN CHARGE AND RECHARGE THE BATTERY!

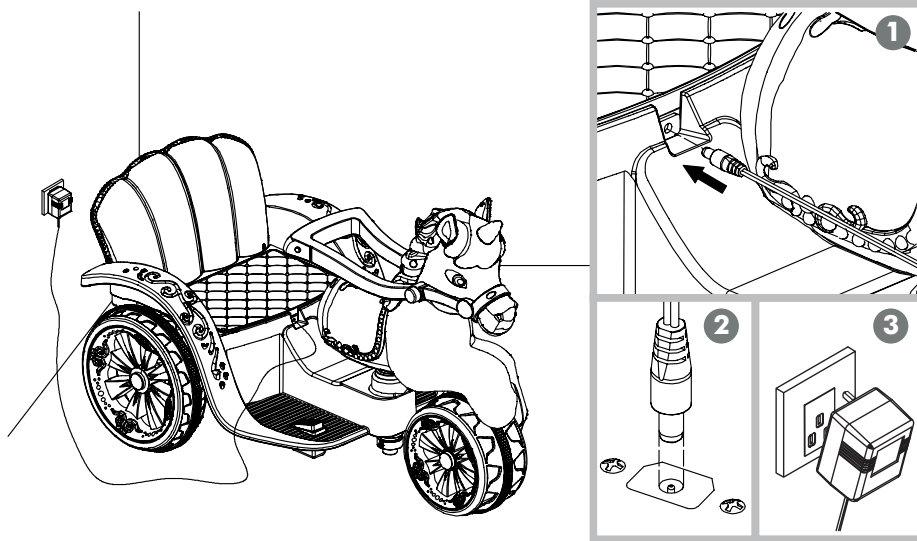
! WARNING!

- For the purpose of recharging the battery, only use the detachable supply unit provided with this toy. NEVER substitute the battery or the charger with another brand. Using another battery or charger may cause a fire or explosion.
- Do not use the battery or charger for any other product. Overheating, fire or explosion could occur.
- NEVER modify the electric circuit system. Tampering with the electric system may cause a shock, fire or explosion or may permanently damage the system.
- Do not allow direct contact between battery terminals. Fire or explosion can occur.
- Do not allow any type of liquid on the battery or its components.

CHARGING YOUR CARRIAGE

⚠️ WARNING!

- The **PEDAL SWITCH** must not be pressed when charging.
- This product has **CHARGING PROTECTION**: When charging, all the functions will be cut off!



1. Carriage connector is located in front of the seat.
2. Plug into the Carriage.
3. Plug in the adaptor pin into socket to start charging.

TROUBLESHOOTING GUIDE

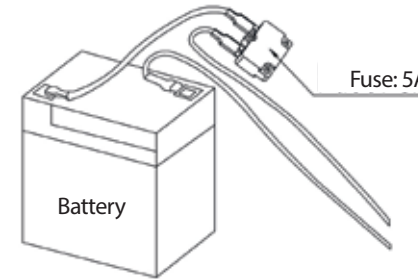
• **PROBLEM: THE CARRIAGE DOES NOT RUN.**

PROBLEM CAUSE: The battery may be low on power.

After each use, or once a month minimum, charge the battery for 8-12 hours. Do not leave the battery on charge for more than 20 hours.

POSSIBLE CAUSE: Thermal fuse has tripped.

The carriage is equipped with a self-resetting fuse. When the Carriage is overloaded or operated incorrectly; the self-resetting fuse will be cut off for 5-20 seconds before becoming operational again. The self-resetting fuse is under the seat (Refer to the picture).



To avoid the fuse cut off the power, follow these guidelines:

- DO NOT overload the carriage, Maximum weight allowed: 25 kg
- DO NOT tow anything behind the carriage.
- DO NOT drive up steep slopes.
- DO NOT drive into fixed objects, which may cause the wheels to spin, causing the motor to overheat.
- DO NOT drive in very hot weather, components may overheat.
- DO NOT tamper with the electric system, doing so may create a short circuit, causing the fuse to trip.

POSSIBLE CAUSE: Wheel nuts are loose.

If the nuts are not tight, the wheels will not engage the forward gears. Tighten the nut with the nut wrench.

POSSIBLE CAUSE: Battery connector or wires are loose.

Make sure the battery connectors are firmly plugged into each other.

POSSIBLE CAUSE: Battery is dead.

Have you properly maintained the battery according to the directions? Is the battery old? Your battery may need to be replaced.

POSSIBLE CAUSE: Electric system is damaged.

Water may have corroded the system, or loose dirt, gravel or sand might have jammed the switch.

POSSIBLE CAUSE: Motor is damaged.

The motor needs professional repair.

• **PROBLEM: THE BATTERY WILL NOT RECHARGE.**

POSSIBLE CAUSE: Battery connector or adapter connector is loose.

Make sure the battery connector and adapter connector are firmly plugged together.

POSSIBLE CAUSE: Charger is not plugged in.

Make sure the charger is plugged into the wall outlet and the power flow to the outlet is on.

POSSIBLE CAUSE: Charger is not working.

Is the charger warm while charging? If not, the charger may be broken and may need to be replaced.

• **PROBLEM: THE CARRIAGE DOES NOT RUN VERY LONG.**

POSSIBLE CAUSE: Battery may be undercharged.

You may not be charging the battery long enough. After each use, or once a month minimum, charge the battery for 8 to 12 hours. Do not leave the battery on charge for more than 20 hours.

POSSIBLE CAUSE: Battery is old.

The battery will eventually lose the ability to hold a charge. Depending on the amount of use, and varying conditions the battery should operate for one to three years. Replace the battery with a new one.

• **PROBLEM: BATTERY BUZZES OR GURGLES WHEN CHARGING.**

This is normal and not a cause for concern. It may also be silent when charging, which is also normal.

• **PROBLEM: CHARGER FEELS WARM WHEN RECHARGING BATTERY.**

This is normal and not a cause for concern.

MAINTAINING THE CARRIAGE

- It is the parents' responsibility to check main parts of the Carriage before using, must regularly examine for potential hazard, such as the battery, charge, cable or cord, plug, screws or fastening enclosure of other parts and that in the event of such damage, the Carriage must not be used until that damage had been properly removed.
- Make sure the plastic parts of the Carriage are not cracked or broken.
- Occasionally use a lightweight oil to lubricate moving parts such as wheels.
- Park the Carriage indoors or cover it to protect it from wet weather.
- Keep the Carriage away from sources of heat, such as stoves and heaters. Plastic parts may melt.
- Recharge the battery after each use. Only an adult can handle the battery. Recharge the battery at least once a month when the Carriage is not being used.
- Do not wash the Carriage with a hose. Do not wash the Carriage with soap and water. Do not drive the Carriage in rain or snowy weather. Water will damage the motor, electric system and battery.
- Clean the Carriage with a soft, dry cloth. To restore shine to plastic parts, use a non-wax furniture polish. Do not use car wax. Do not use abrasive cleaners.
- Do not drive the Carriage in loose dirt, sand or fine gravel which could damage moving parts, motors or the electric system.
- When not using, all the electrical source should be turn off. Turn off the power switch and disconnect the battery connection.

DISPOSAL OF BATTERY

- Your sealed lead-acid battery must be recycled or disposed of in an environmentally sound manner.
- Do not dispose of your lead-acid battery in a fire. The battery may explode or leak.
- Do not dispose of a lead-acid battery in your regular, household trash. The incineration, land filling or mixing of sealed lead-acid batteries with household trash is prohibited by law.
- Return an exhausted battery to your local approved lead-acid battery recycle, such as a local seller of automotive batteries.
- Contact your local waste management officials for other information regarding the environmentally sound recycling and disposal of lead-acid batteries.
- The battery must be charged only by adult .Please charge the product before using!
- The toy should not be connected to excessive powers (more than the quantity specified herein), and it should not be operated during charging process.
- Any rechargeable battery must only be charged under adult's supervision.
- Battery charger should regularly check the wires, plugs, casing and other parts for damage and if found should stop using and restored.
- All batteries should be inserted with the correct polarity (+ and -).
- The battery charger used with the toy are to be regularly examined for damage to the cord, plug, enclosure and other parts, in the event of such damage, they must not be used until that damage had been repaired.

