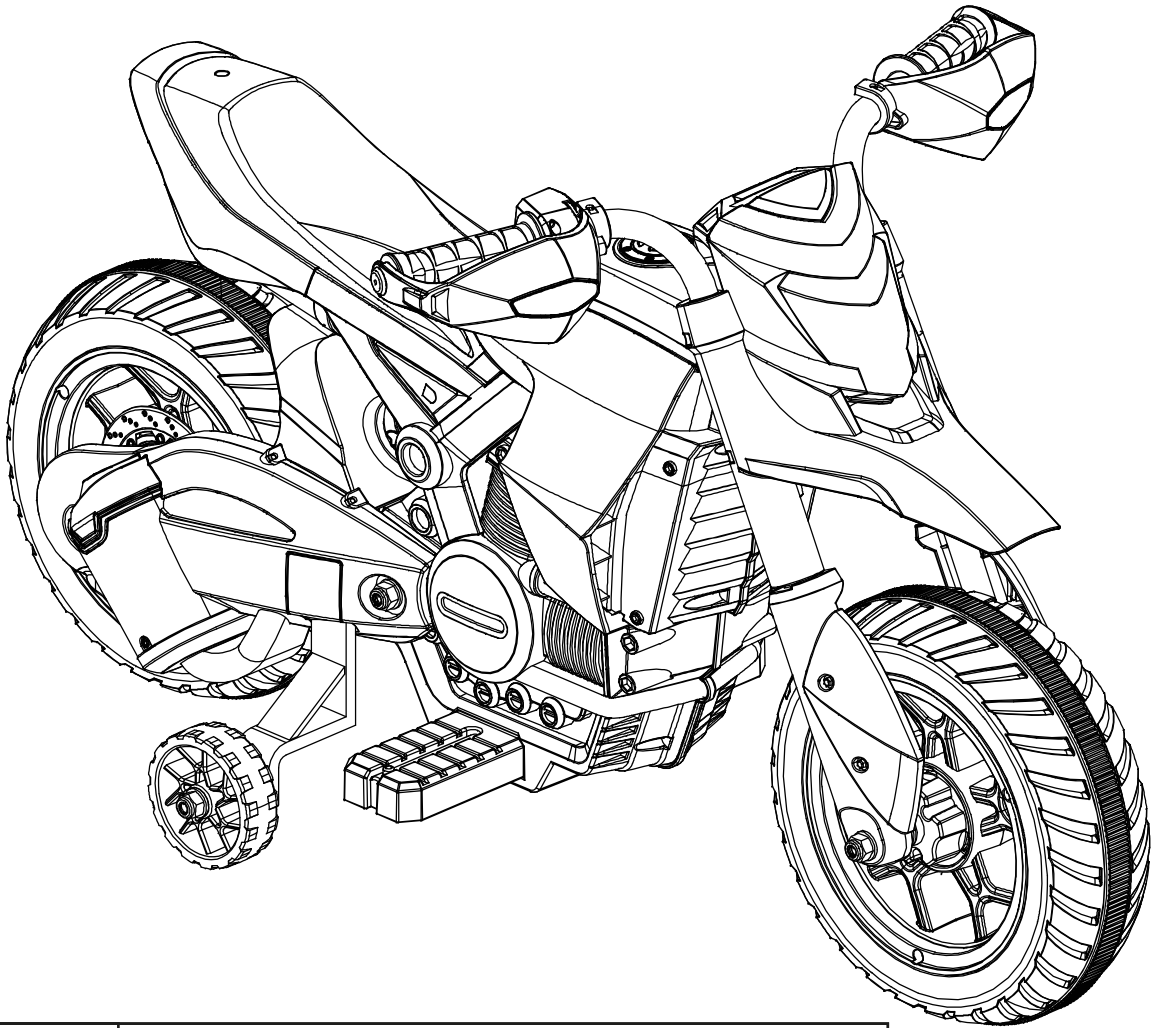



# ELECTRONIC MOTORBIKE



Important	Warning!
Age: 3 Years + Maximum user weight :30Kg	<ol style="list-style-type: none"><li>1. Not Suitable for children under 36 months. Choking hazard due to small parts</li><li>2. For family and domestic use only</li><li>3. Not to be used in traffic</li><li>4. Adult assembly required</li><li>5. Protective equipment should be worn</li><li>6. This toy has no brake</li><li>7. This toy is unsuitable for children under 3 years due to its maximum speed.</li></ol> 

## INSTRUCTION MANUAL

**Read and understand this entire manual before using!**

Please keep this manual for future reference as it contains important information.  
Before first time use, charge the battery for at least 8-12 hours, no more than 20 hours.



Designed & Manufactured by HTI Toys,  
Copse Road, Fleetwood, FY7 7NY; UK  
Made in China

# Table of Contents

1. About Motorbike
2. Parts List
3. Parts Diagram
4. Assembly Steps
5. How To Operate Your Motorbike
6. Charging Your Motorbike
7. Troubleshooting Guide
8. Maintenance
9. Disposal Of Battery

## About Your New Motorbike

Thank you for your purchasing our product, Keep these points in mind as you read this guide:



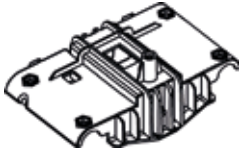






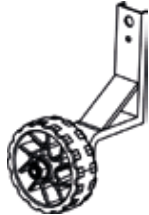




<b>Suitable age:</b>	3+ years	<b>Battery:</b>	DC 6V 4.0AH *1
<b>Load Capacity:</b>	Under 30Kg	<b>Size of car:</b>	1020*430*470mm
<b>Speed:</b>	2.5-3 km/h	<b>Carton size:</b>	785*300*470mm
<b>Material:</b>	PP	<b>Optimum Temperature:</b>	Below 40°C Avoid to use under burning sun
<b>Charger:</b>	Input: Shown on the charger	<b>Charging time:</b>	8-12 hours,at most 20 hours
	Output: DC 6V	<b>Fuse:</b>	F 5A, Self-resetting
	Current: DC 0.5A	<b>Operating life:</b>	12 months to 18 months

### **WARNING!**


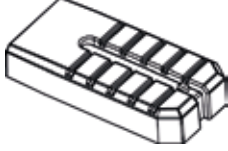
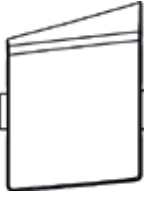
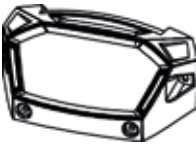
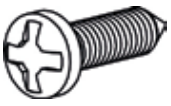
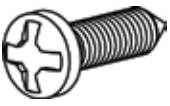


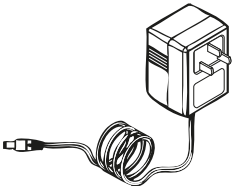
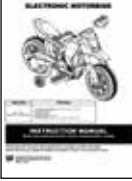
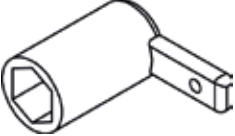
**FOR THE SAFETY OF YOUR CHILD, PLEASE READ ALL WARNINGS AND ASSEMBLY/USE INSTRUCTIONS. KEEP THIS GUIDE FOR FUTURE REFERENCE.**

- **ADULT ASSEMBLY REQUIRED.** The product contains small parts, which are for adult assembly only. Keep children away when assembling.

# Parts List

PART NO	PART NAME	PICTURE	Q,ty (pcs)	REMARKS	PART NO	PART NAME	PICTURE	Q,ty (pcs)	REMARKS
1	body		1		2	Face cover		1	
3	Head cover		1		4	Right handle		1	
5	Left handle		1		6	Wheel		1	
7	Axle sleeve		2	Placed on the front axle	8	Front axle		1	
9	Central axis		1		10	Stabilizers		2	
11	M8 Nut		4	Placed on the axle	12	M10 Washer		6	Placed on the axle
13	M5X30 Bolt		4		14	M5 Nut		4	
								2	Placed on the body

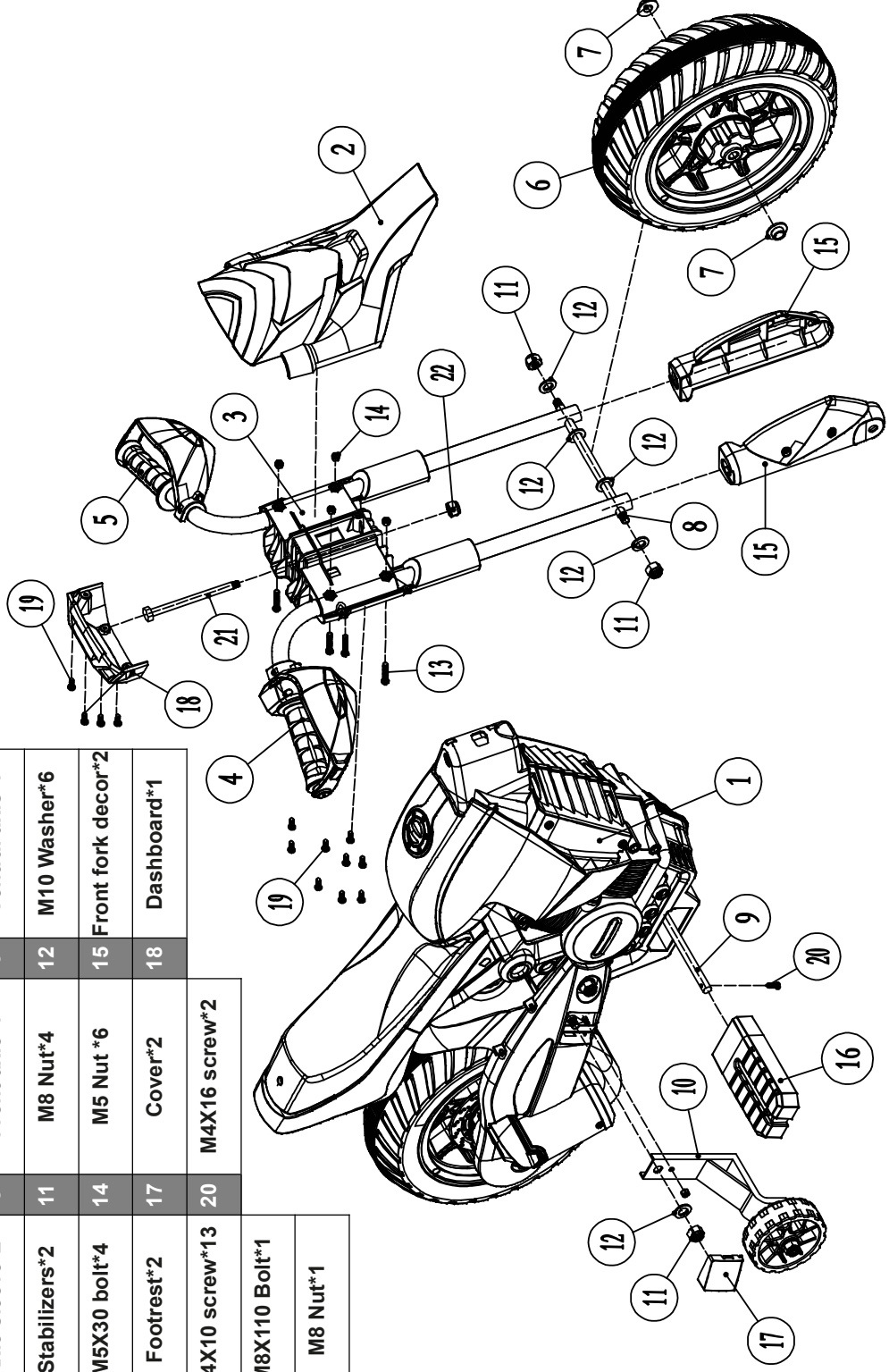
# Parts List

Assembly package									
PART NO	PART NAME	PICTURE	Q,ty (pcs)	REMARKS	PART NO	PART NAME	PICTURE	Q,ty (pcs)	REMARKS
15	Front Fork Décor		1 pair	Left & right	16	Footrest		2	
17	Cover		1 pair	Left & right	18	Dashboard		1	
19	M4X10 screw		13		20	M4X16 screw		2	
21	M8X110 Bolt		1		22	M8 Nut		1	
23	Charger		1		24	Instruction manual		1	
25	Spanner		2						

# Parts Diagram

1	Vehicle body *1	2	Face cover*1	3	Head cover*1
4	Right handle*1	5	Left handle*1	6	Wheel*1
7	Axle sleeve*2	8	Front axle*1	9	Central axis*1
10	Stabilizers*2	11	M8 Nut*4	12	M10 Washer*6
13	M5X30 bolt*4	14	M5 Nut *6	15	Front fork decor*2
16	Footrest*2	17	Cover*2	18	Dashboard*1
19	M4X10 screw*13	20	M4X16 screw*2		
21	M8X110 Bolt*1				
22	M8 Nut*1				

**NOTE:** Some parts are on the axles



## Tools Required



Screwdriver  
(not included)



Pliers  
(not included)



Hammer  
(not included)

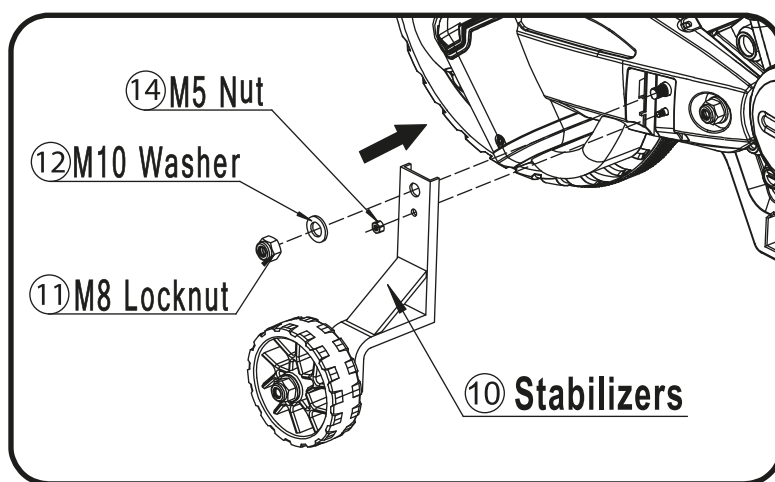


Spanner

# Assembly Steps

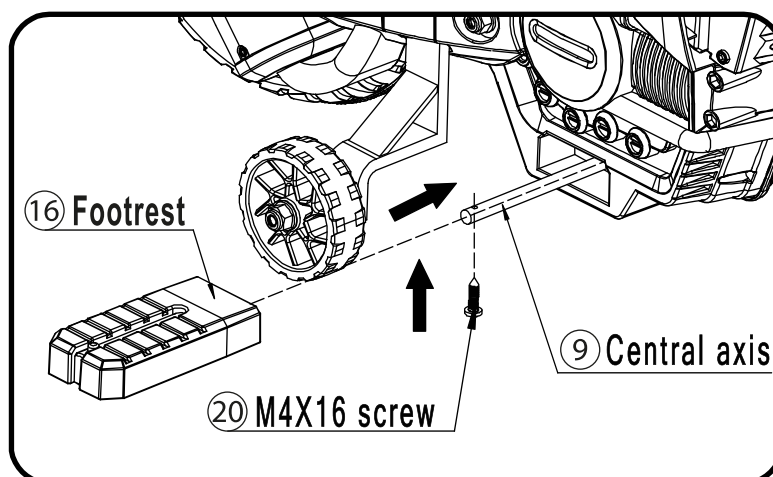
- This product requires adult assembly. Please set aside at least 40 minutes for assembly.
- Children can be harmed by small parts, sharp edges and sharp points in the vehicle's unassembled state. Care should be taken in unpacking and assembly of the vehicle. Children should not handle parts, or help in assembly of the vehicle.
- Please identify all parts before assembly and save all packaging material until assembly is complete to ensure that no parts are discarded.
- Assembly tools needed: screwdriver(not included), pliers(not included), hammer(not included), spanner.

## 1. Install the stabilizers



- Remove two nuts (14) & (11) and one washer (12) from the side of the rear axle.
- Install the stabilizer, tighten the nut (11), add the washer (12) and tighten the nut (14).
- Fix the other stabilizer on the other side with the same steps as above.

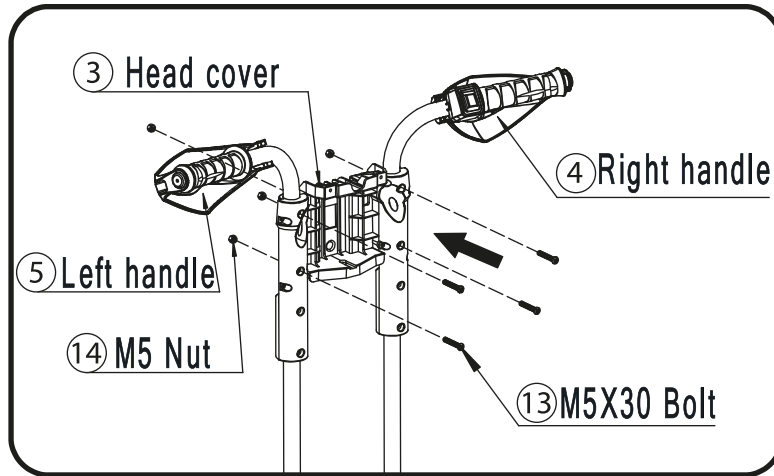
## 2. Install the footrest



- As shown in the diagram, the axle (9) passes through the body.
- Install footrest (16) and fasten with screws (20).
- Repeat the same steps as above on other side.

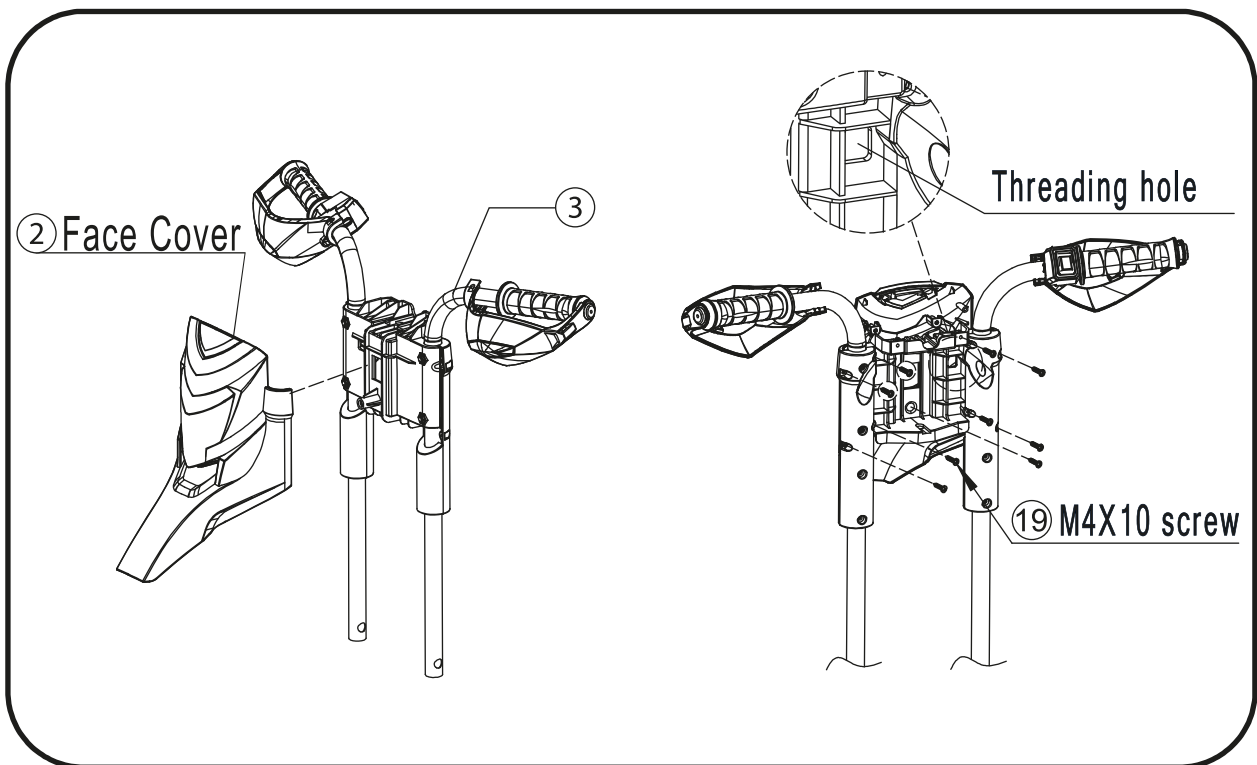
# Assembly Steps

## 3. Install the head cover



- Insert the left handle and the right handle to head cover (3), align the holes on head cover with the handle tubes and fasten with bolts (13) and nuts (14).

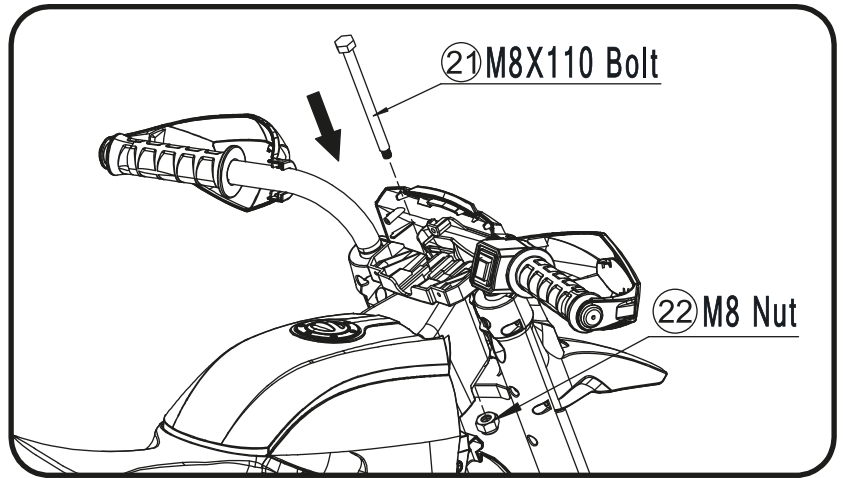
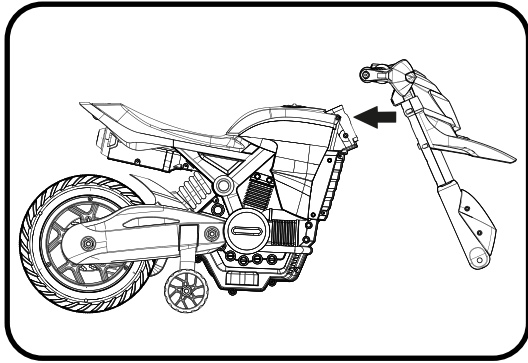
## 4. Install the face cover



- Fitting face cover (2) to head cover (3), put the wire and plugs through the threading holes and fasten with 9pcs screws (19).

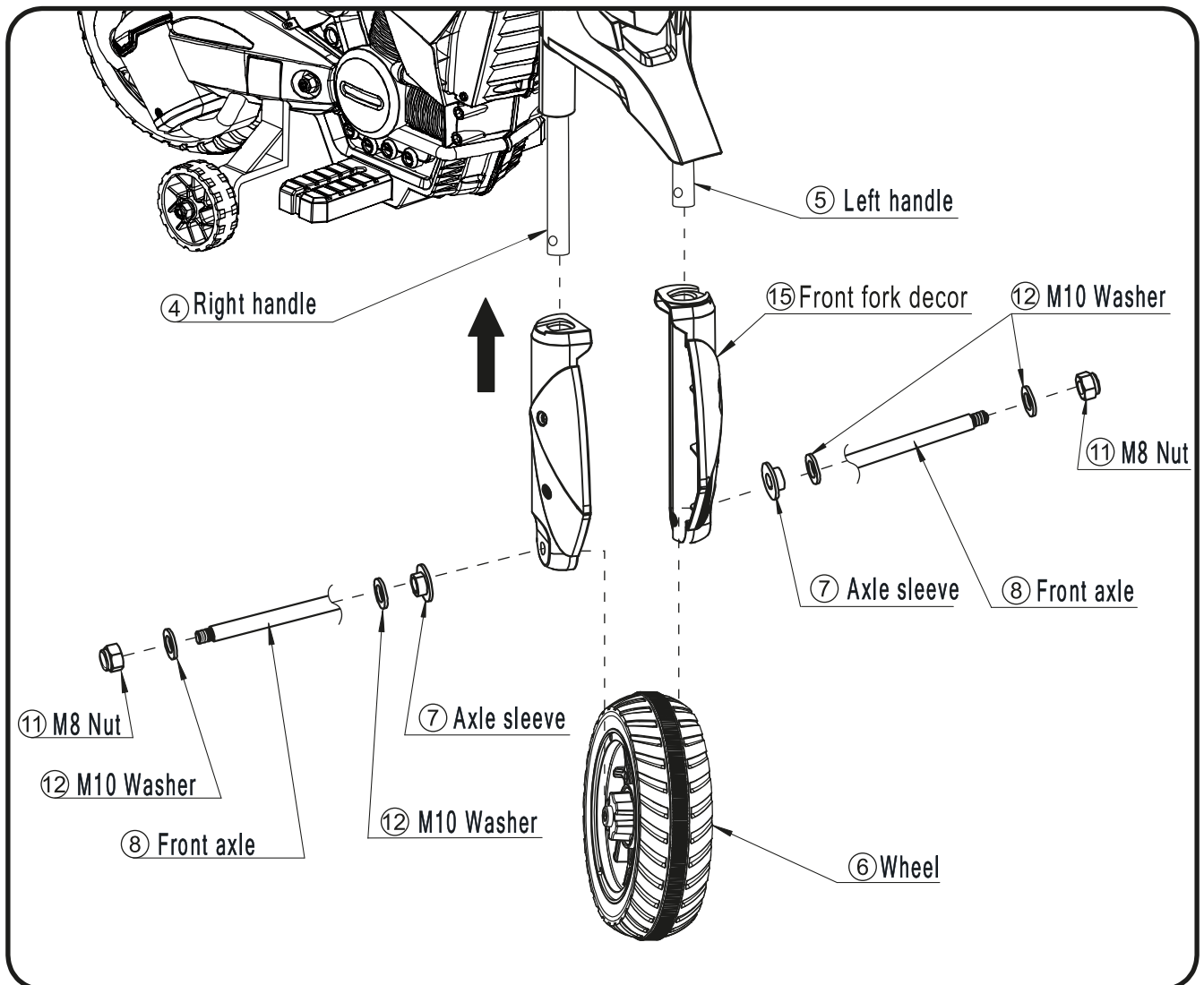
# Assembly Steps

## 5. Install the front section



- Align the holes of front section & body. Put the bolt ②① through the front section, and tighten the nut ②②.

## 6. Install the front wheel





# Assembly Steps

## Install the front wheel:

- Slide front fork décor (15) to front fork as diagram shown.
- Take off the nuts (11), washers (12), axle sleeves (7) from front axle (8).
- Follow the sequence and position shown on above diagram. Put the front axle (8) through the right handle (4), washer (12), axle sleeve (7), wheel (6), axle sleeve (7), washer (12).
- Then push through the left handle (5). Put on a washer (12) then tighten with nut (11).

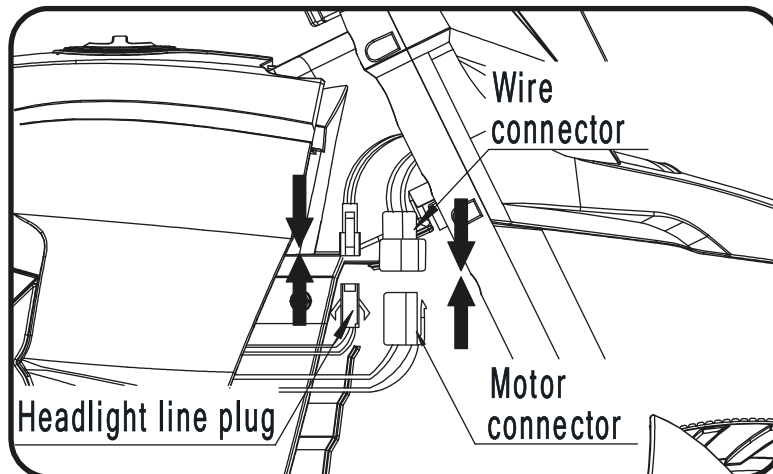


GAP

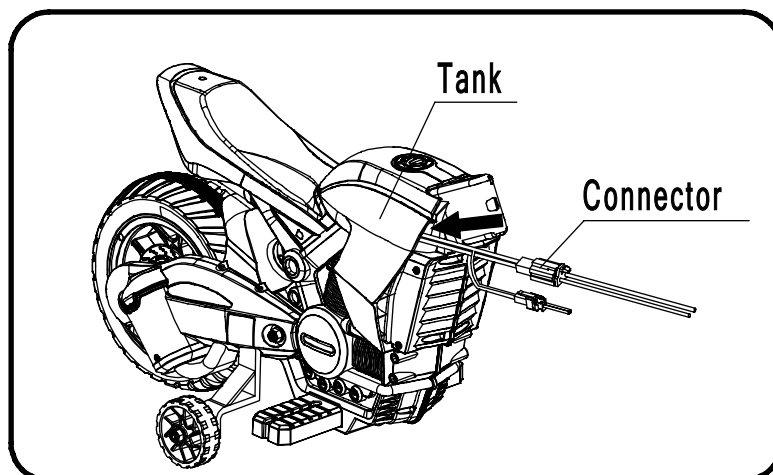
## QUICK CHECK!

After assembling the wheels onto the axles, please check the gap between the screw thread (refer to picture). After tightening the nut outside the wheel, please turn the wheel to check if the wheel can run smoothly. This is very important! If the wheel cannot turn smoothly it means the parts on axle are too tight and it will brake the motor very easily. In order to solve this please remove one or two washers then check again the turning status of the wheel.

## 7. Connect the power supply



- Plug the wire connector into the motor connector.
- Attach the headlight line plug together.

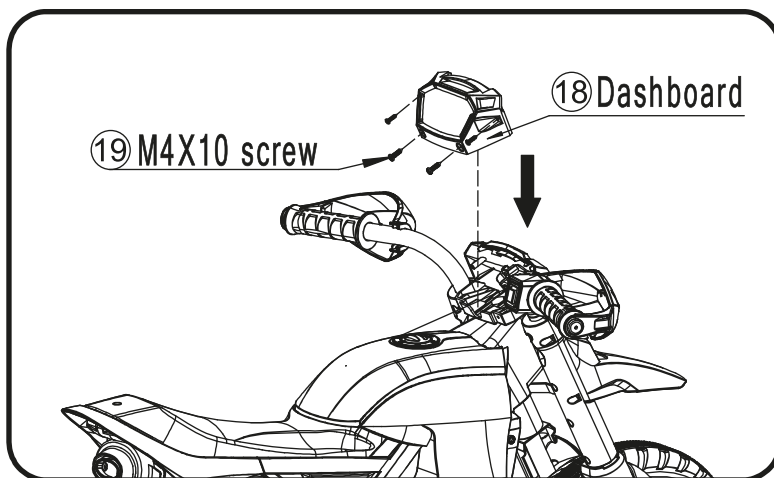


- Put the connector into tank.

# Assembly Steps

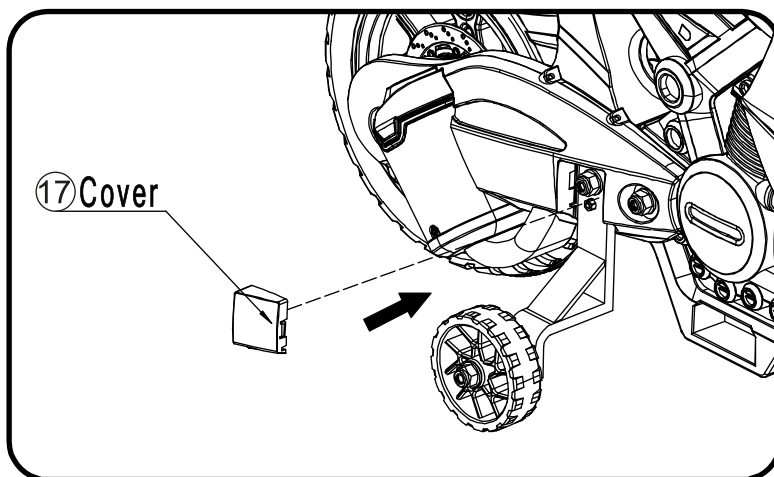
---

## 8. Install the dashboard



- Install the dashboard (18) to the corresponding place, and fasten with the screws (19).

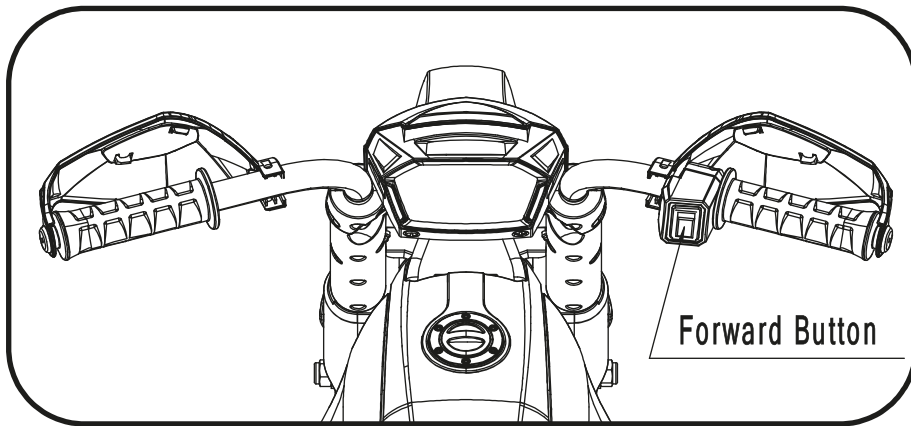
## 9. Install the cover



- As shown in the diagram, click the cover over the stabilizer screws on both sides.

# How To Operate Your Motorbike

---



## **IMPORTANT!**

Always stop the bike when changing the speed or direction to avoid damage to the gear box and motor.

1. Press the "Forward Button" to move forward.
2. Release the "Forward Button" to stop the bike.

## **⚠ WARNING!**

### **PREVENT INJURIES AND DEATHS:**

- Never leave child unattended. Direct adult supervision is required.
- Always keep child in view when child is on the vehicle.
- Never use on roadways, near cars, on or near steep inclines or steps, swimming pools or other bodies of water.
- Always wear shoes.
- Always sit on the seat.
- Suitable for age 3+years; Maximum user weight is 30kgs.

### **Must confirm before using that the following work has been completed:**

- Important! Before using the vehicle for the first time, the battery needs to be charged for 8 to 12 hours, no more than 20 hours. Only an adult can charge or recharge the battery.
- Finish the complete motorcycle assembly according to the steps in the manual.
- All places that need a screw guarantee the screw has been locked.

# Rules for Safe Riding

---

## **READ THESE RULES ALOUD TO YOUR CHILD AND THEIR PLAYMATES AND MAKE SURE THEY UNDERSTAND THEM!**

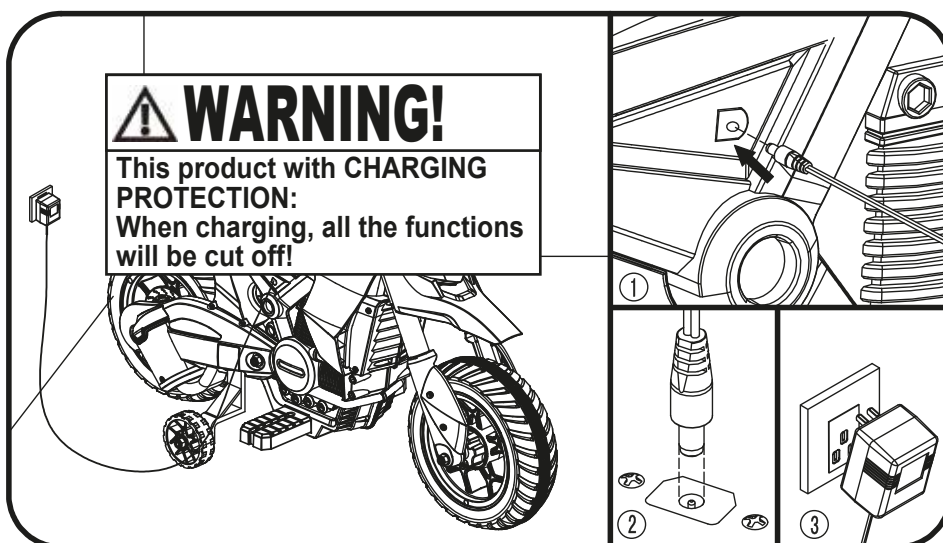
- This toy has no brake. Always wear a helmet and protective clothing when riding.
- Direct Adult Supervision Required.
- Keep Children within Safe Riding Areas.
- Never use in roadway, near motor vehicles, on lawn space, on or near steep inclines or steps, swimming pools or other bodies of water.
- Use the toy only on flat surfaces, such as inside your house, garden or playground.
- Never use in the dark. A child could encounter unexpected obstacles and have an accident. Operate the vehicle only in the daytime or a well-lit area.
- It is not recommended to drive the vehicle on wet surfaces or on slopes of greater than 15 degrees.
- Do not use this vehicle outdoors when it is raining or snowing.
- Make sure you come to a complete stop before changing directions from forward to back.
- Please follow the correct weight and age limits allowed to drive this vehicle.
- It is prohibited to change the circuit or add other electric parts
- Inspect wires and connections of the vehicle periodically.
- In order to avoid accidents, please ensure the vehicle is safe before riding.
- Do not let any child touch the wheels or be near them when the tractor is moving.

# Charging Your Motorbike

## **WARNING!**

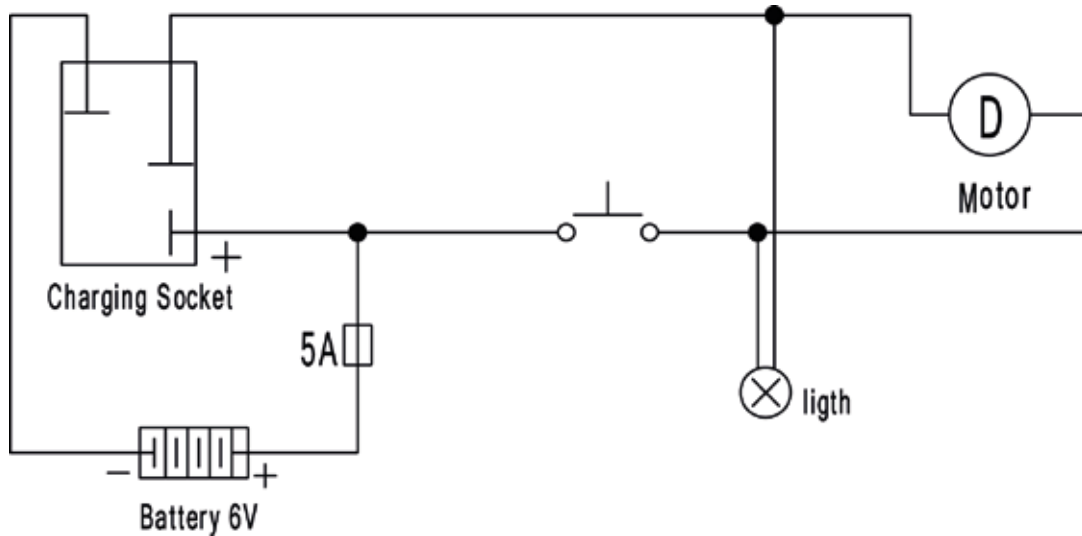
- **PREVENT FIRE AND ELECTRIC SHOCK:**
  - Explosive gasses are created during charging. Do not charge near heat or flammable materials. Charge the battery in a well-ventilated area **ONLY**.
  - **NEVER** pick up the battery by the wires or charger. Damage can occur to the battery and may cause a fire. Pick up the battery by the case **ONLY**.
  - Charge the battery in a dry area **ONLY**.
- Battery posts, terminals and related accessories contain lead and lead compounds, chemicals known to the State of California to cause cancer and reproductive harm. Wash hands after handling.
- Do not open the battery. Battery contains lead acid and other materials that are toxic and corrosive.
- Do not open the charger. Exposed wiring and circuitry inside case may cause electric shock. Only adults may handle or charge the battery. **NEVER** allow child to handle or charge the battery. Battery is heavy and contains lead acid (electrolyte).
- Do not drop the battery. Permanent damage to the battery could occur or cause serious injury.
- Before charging the battery, check for wear or damage to the battery, charger, its supply cord and the connectors. **DO NOT** charge the battery if any damage to parts has occurred.
- Do not allow the battery to drain completely. Recharge the battery after each use or once a month if not used regularly.
- Do not charge battery upside down.
- Always secure the battery with the bracket. Battery can fall out and injure a child if vehicle tips over.
- A recommendation for adult supervision of young children.
- The toy should be used with caution since skill is required to avoid falls or collisions causing injury to the user or third parties.

- The **POWER SWITCH** must not be pressed when charging
- Before the first use, you should charge the battery for 8-12 hours. Do not recharge the battery for more than 20 hours to avoid overheating the charger.
- When the bike begins to run slowly, recharge the battery.
- After each use or once a month minimum recharge time as 8 to 12 hours, no more than 20 hours.



1. Connector jack is located at the right of bike body
2. Plug into the jack
3. Plug in the adaptor pin into socket to start charging

# Charging Your Motorbike



**ONLY AN ADULT CAN CHARGE AND RECHARGE THE BATTERY!**

## **WARNING!**

**• PREVENT FIRE AND ELECTRIC SHOCK:**

- Use the only rechargeable battery and charger supplied with your vehicle. NEVER substitute the battery or the charger with another brand. Using another battery or charger may cause a fire or explosion.
- Do not use the battery or charger for any other product. Overheating, fire or explosion could occur.
- NEVER modify the electric circuit system. Tampering with the electric system may cause a shock, fire or explosion or may permanently damage the system.
- Do not allow direct contact between battery terminals. Fire or explosion can occur.
- Do not allow any type of liquid on the battery or its components.

# Troubleshooting Guide

---

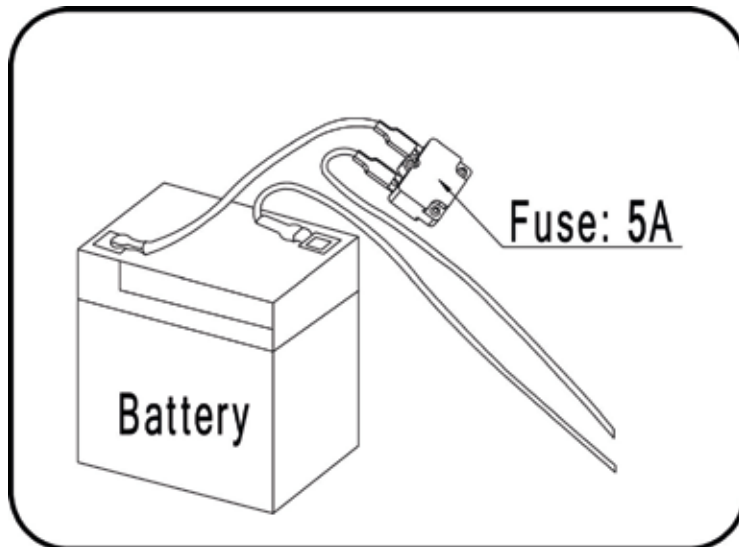
## ■ PROBLEM: The bike does not run

**PROBLEM CAUSE: The battery may be low on power.**

After each use, or once a month minimum, charge the battery for 8-12 hours. Do not leave the battery on charge for more than 20 hours.

**POSSIBLE CAUSE: Thermal fuse has tripped.**

The vehicle is equipped with a self-resetting fuse. When the bike is overloaded or operated incorrectly; the self-resetting fuse will be cut off for 5-20seconds before becoming operational again. The self-resetting fuse is under the seat (Refer to the picture.)



**To avoid the fuse cut off the power, follow these guidelines:**

DO NOT overload the bike, Maximum weight allowed :30kg

DO NOT tow anything behind the bike.

DO NOT drive up steep slopes.

DO NOT drive into fixed objects, which

may cause the wheels to spin, causing the motor to overheat.

DO NOT drive in very hot weather, components may overheat.

DO NOT tamper with the electric system, doing so may create a short circuit, causing the fuse to trip.

**POSSIBLE CAUSE: Wheel nuts are loose.**

If the nuts are not tight, the wheels will not engage the forward gears. Tighten the nut with the nut wrench.

**POSSIBLE CAUSE: Battery connector or wires are loose.**

Make sure the battery connectors are firmly plugged into each other.

**POSSIBLE CAUSE: Battery is dead.**

Have you properly maintained the battery according to the directions? Is the battery old? Your battery may need to be replaced.

**POSSIBLE CAUSE: Electric system is damaged.**

Water may have corroded the system, or loose dirt, gravel or sand might have jammed the switch.

**POSSIBLE CAUSE: Motor is damaged.**

The motor needs professional repair.

## ■ PROBLEM: The battery will not recharge.

**POSSIBLE CAUSE: Battery connector or adapter connector is loose.**

Make sure the battery connector and adapter connector are firmly plugged together.

**POSSIBLE CAUSE: Charger is not plugged in.**

Make sure the charger is plugged into the wall outlet and the power flow to the outlet is on.

**POSSIBLE CAUSE: Charger is not working.**

Is the charger warm while charging? If not, the charger may be broken and may need to be replaced.

# Troubleshooting Guide

---

■ **PROBLEM: The tractor does not run very long.**

**POSSIBLE CAUSE: Battery may be undercharged.**

You may not be charging the battery long enough. After each use, or once a month minimum, charge the battery for 8 to 12 hours. Do not leave the battery on charge for more than 20 hours.

**POSSIBLE CAUSE: Battery is old.**

The battery will eventually lose the ability to hold a charge. Depending on the amount of use, and varying conditions, the battery should operate for one to three years. Replace the battery with a new one.

■ **PROBLEM: Battery buzzes or gurgles when charging.**

This is normal and not a cause for concern. It may also be silent when charging, which is also normal.

■ **PROBLEM: Charger feels warm when recharging battery.**

This is normal and not a cause for concern.

## Maintaining Your Vehicle

---

- It is the parents' responsibility to check main parts of the toy before using, must regularly examine for potential hazard, such as the battery, charge, cable or cord, plug, screws or fastening enclosure of other parts and that in the event of such damage, the toy must not be used until that damage had been properly removed.
- Make sure the plastic parts of the vehicle are not cracked or broken.
- Occasionally use a lightweight oil to lubricate moving parts such as wheels.
- Park the vehicle indoors or cover it to protect it from wet weather.
- Keep the vehicle away from sources of heat, such as stoves and heaters. Plastic parts may melt.
- Recharge the battery after each use. Only an adult can handle the battery. Recharge the battery at least once a month when the vehicle is not being used.
- Do not wash the vehicle with a hose. Do not wash the vehicle with soap and water. Do not drive the vehicle in rain or snowy weather. Water will damage the motor, electric system and battery.
- Clean the vehicle with a soft, dry cloth. To restore shine to plastic parts, use a non-wax furniture polish. Do not use car wax. Do not use abrasive cleaners.
- Do not drive the vehicle in loose dirt, sand or fine gravel which could damage moving parts, motors or the electric system.
- When not using, all the electrical source should be turn off. Turn off the power switch and disconnect the battery connection.



# Disposal Of Battery

---

- Your sealed lead-acid battery must be recycled or disposed of in an environmentally sound manner.
- Do not dispose of your lead-acid battery in a fire. The battery may explode or leak.
- Do not dispose of a lead-acid battery in your regular, household trash. The incineration, land filling or mixing of sealed lead-acid batteries with household trash is prohibited by law.
- Return an exhausted battery to your local approved lead-acid battery recycle, such as a local seller of automotive batteries.
- Contact your local waste management officials for other information regarding the environmentally sound recycling and disposal of lead-acid batteries.
- The battery must be charged only by adult .Please charge the product before using!
- The toy should not be connected to excessive powers (more than the quantity specified herein), and it should not be operated during charging process.
- Any rechargeable battery must only be charged under adult's supervision.
- Battery charger should regularly check the wires, plugs, casing and other parts for damage and if found should stop using and restored.
- All batteries should be inserted with the correct polarity.
- The battery charger used with the toy are to be regularly examined for damage to the cord, plug, enclosure and other parts, in the event of such damage, they must not be used until that damage had been repaired.

